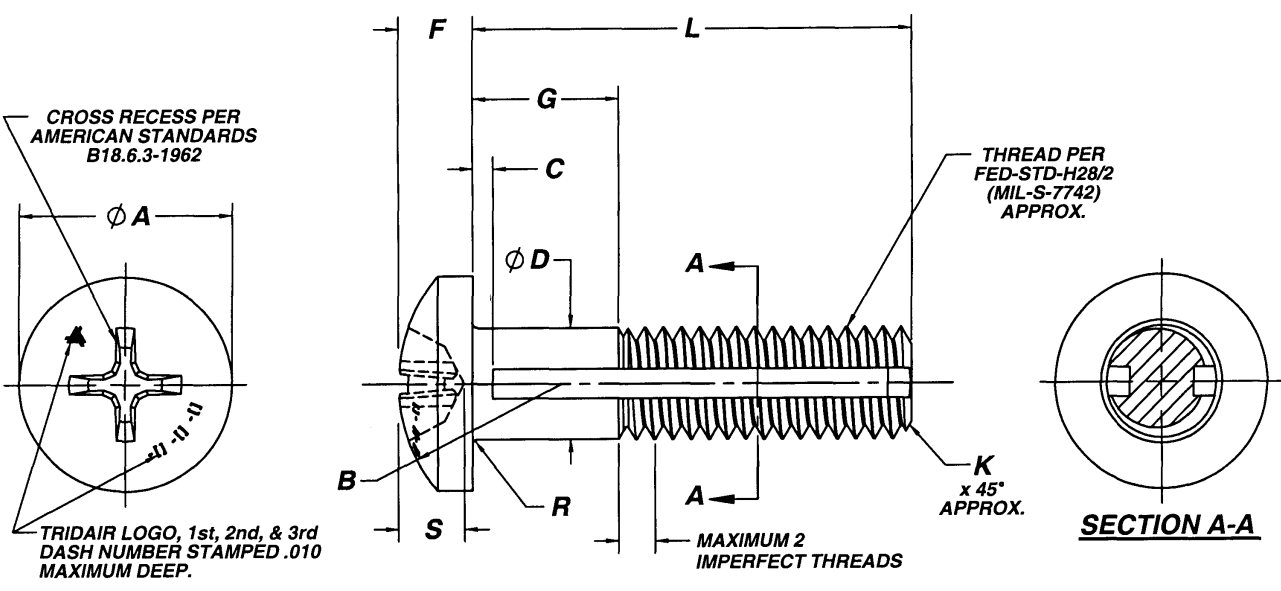


MANUFACTURE OF THE PROPRIETARY PARTS SHOWN HERE WITHOUT WRITTEN CONSENT IS ABSOLUTELY PROHIBITED



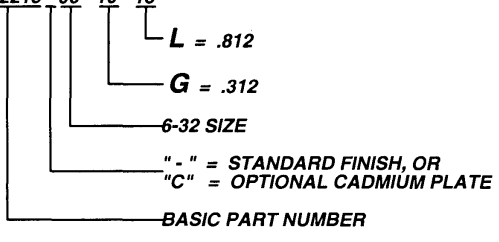
**TABLE 1**

FIRST DASH NUMBER	THREAD SIZE	Ø A	B RAD REF	C MAX	Ø D	F	K	R RAD	S MAX	ULTIMATE TENSILE STRENGTH MIN (CALCULATED)	ULTIMATE SINGLE SHEAR STRENGTH MIN (CALCULATED)
-06	.138-32UNC-3A	.270 .256	.20	.050	.1375 .1365	.097 .087	.030	.015 .005	.091	530 LBS.	320 LBS.
-08	.164-32UNC-3A	.322 .306	.24	.050	.1635 .1625	.115 .105	.030	.020 .010	.097	820 LBS.	490 LBS.
-10	.190-32UNF-3A	.373 .357	.28	.050	.1895 .1885	.133 .122	.030	.020 .010	.113	1 210 LBS.	720 LBS.
-4	.250-28UNF-3A	.492 .473	.37	.050	.2495 .2485	.175 .162	.035	.020 .010	.144	2 310 LBS.	1 380 LBS.
-5	.3125-24UNF-3A	.615 .594	.53	.065	.3120 .3110	.218 .203	.040	.020 .010	.173	3 740 LBS.	2 240 LBS.
-6	.375-24UNF-3A	.740 .716	.65	.065	.3745 .3735	.261 .244	.040	.025 .015	.213	5 680 LBS.	3 410 LBS.

NOTES; UNLESS OTHERWISE SPECIFIED:

- MATERIAL: 18-8 TYPE 300 SERIES CRES PER AMS-QQ-S-763, ASTM-A-581/582/320, AMS5640 AND/OR AMS5738.
- FINISH:
  - STANDARD - PASSIVATED PER AMS2700 (AMS-QQ-P-35).
  - OPTIONAL - CADMIUM PLATE PER AMS-QQ-P-416 TYPE II, CLASS 2 DESIGNATED BY LETTER "C" IN LIEU OF DASH AFTER BASIC PART NUMBER (SEE EXAMPLE, NOTE 7).
- HEAD: PAN HEAD PER NAS1635.
- SCREW TO BE USED WITH CA2210-( )R RETAINING RING TO CAPTIVE TO PANEL.
- PANEL PREPARATION: REFER TO CAL-STD-0260.
- INSTALLATION: REFER TO TRIDAIR DRAWING NUMBER CA2210T-( ).
- PART CALLOUT EXAMPLES:
 

CA2215 - 06 - 10 - 13



INTERIM DOCUMENT REVISION		
Rev	Date	DAF #
F1	10/21/10	94301

INTERIM DOCUMENT REVISION	
Rev	Date
F2	10/8/2018
DAF #	
117431	

ORIGINAL DESIGN ACTIVITY: CAGE CODE 29372

S41476	APPROVED DATE 08 MAR 1990	 <b>ARCONIC</b> Arconic Fastening Systems TRIDAIR PRODUCTS 3018 W. LOMITA BLVD. TORRANCE, CA 90505	TITLE: <b>SCREW, PAN HEAD, CAPTIVE, CRES</b>	CURRENT DESIGN ACTIVITY: CAGE CODE: 29372
	REV. LETTER AND DATE F 17 FEB 2010		UNLESS OTHERWISE SPECIFIED DIMENSIONS ARE IN INCHES & ASME Y14.5M TOLERANCES:	SALES DRAWING NO.
	DAF NUMBER 912957		ANGLES = ±2° DECIMALS .XX = ±.02 .XXX = ±.010	<b>CA2215-( )-( )-( )</b> SHEET 1 OF 4

MANUFACTURE OF THE PROPRIETARY PARTS SHOWN HERE WITHOUT WRITTEN CONSENT IS ABSOLUTELY PROHIBITED

THIS DRAWING EMBODIES A CONFIDENTIAL, PROPRIETARY DESIGN & ALL DESIGN, MANUFACTURING PRODUCTION, USE & SALE RIGHTS REGARDING SAME ARE EXPRESSLY RESERVED.

**TABLE 2**

	G GRIP									L
	.062	.094	.125	.156	.187	.218	.250	.281	.312	LENGTH
.138-32 SIZE FIRST DASH NUMBER -06	-2-7	-3-7	-4-7	-5-7	-6-7	-7-7	-8-7	-9-7	-10-7	.437
	-2-8	-3-8	-4-8	-5-8	-6-8	-7-8	-8-8	-9-8	-10-8	.500
	-2-9	-3-9	-4-9	-5-9	-6-9	-7-9	-8-9	-9-9	-10-9	.562
	-2-10	-3-10	-4-10	-5-10	-6-10	-7-10	-8-10	-9-10	-10-10	.625
	-2-11	-3-11	-4-11	-5-11	-6-11	-7-11	-8-11	-9-11	-10-11	.687
	-2-12	-3-12	-4-12	-5-12	-6-12	-7-12	-8-12	-9-12	-10-12	.750
	-2-13	-3-13	-4-13	-5-13	-6-13	-7-13	-8-13	-9-13	-10-13	.812
	-2-14	-3-14	-4-14	-5-14	-6-14	-7-14	-8-14	-9-14	-10-14	.875
	-2-15	-3-15	-4-15	-5-15	-6-15	-7-15	-8-15	-9-15	-10-15	.937
	-2-16	-3-16	-4-16	-5-16	-6-16	-7-16	-8-16	-9-16	-10-16	1.000
	-2-17	-3-17	-4-17	-5-17	-6-17	-7-17	-8-17	-9-17	-10-17	1.062
	-2-18	-3-18	-4-18	-5-18	-6-18	-7-18	-8-18	-9-18	-10-18	1.125
	-2-19	-3-19	-4-19	-5-19	-6-19	-7-19	-8-19	-9-19	-10-19	1.187
	-2-20	-3-20	-4-20	-5-20	-6-20	-7-20	-8-20	-9-20	-10-20	1.250
	-2-21	-3-21	-4-21	-5-21	-6-21	-7-21	-8-21	-9-21	-10-21	1.312
	-2-22	-3-22	-4-22	-5-22	-6-22	-7-22	-8-22	-9-22	-10-22	1.375
	-2-23	-3-23	-4-23	-5-23	-6-23	-7-23	-8-23	-9-23	-10-23	1.437
	-2-24	-3-24	-4-24	-5-24	-6-24	-7-24	-8-24	-9-24	-10-24	1.500
	-2-25	-3-25	-4-25	-5-25	-6-25	-7-25	-8-25	-9-25	-10-25	1.562
	-2-26	-3-26	-4-26	-5-26	-6-26	-7-26	-8-26	-9-26	-10-26	1.625
	-2-27	-3-27	-4-27	-5-27	-6-27	-7-27	-8-27	-9-27	-10-27	1.687
	-2-28	-3-28	-4-28	-5-28	-6-28	-7-28	-8-28	-9-28	-10-28	1.750


**TABLE 3**

	G GRIP									L
	.062	.094	.125	.156	.187	.218	.250	.281	.312	LENGTH
.164-32 SIZE FIRST DASH NUMBER -08	-2-7	-3-7	-4-7	-5-7	-6-7	-7-7	-8-7	-9-7	-10-7	.437
	-2-8	-3-8	-4-8	-5-8	-6-8	-7-8	-8-8	-9-8	-10-8	.500
	-2-9	-3-9	-4-9	-5-9	-6-9	-7-9	-8-9	-9-9	-10-9	.562
	-2-10	-3-10	-4-10	-5-10	-6-10	-7-10	-8-10	-9-10	-10-10	.625
	-2-11	-3-11	-4-11	-5-11	-6-11	-7-11	-8-11	-9-11	-10-11	.687
	-2-12	-3-12	-4-12	-5-12	-6-12	-7-12	-8-12	-9-12	-10-12	.750
	-2-13	-3-13	-4-13	-5-13	-6-13	-7-13	-8-13	-9-13	-10-13	.812
	-2-14	-3-14	-4-14	-5-14	-6-14	-7-14	-8-14	-9-14	-10-14	.875
	-2-15	-3-15	-4-15	-5-15	-6-15	-7-15	-8-15	-9-15	-10-15	.937
	-2-16	-3-16	-4-16	-5-16	-6-16	-7-16	-8-16	-9-16	-10-16	1.000
	-2-17	-3-17	-4-17	-5-17	-6-17	-7-17	-8-17	-9-17	-10-17	1.062
	-2-18	-3-18	-4-18	-5-18	-6-18	-7-18	-8-18	-9-18	-10-18	1.125
	-2-19	-3-19	-4-19	-5-19	-6-19	-7-19	-8-19	-9-19	-10-19	1.187
	-2-20	-3-20	-4-20	-5-20	-6-20	-7-20	-8-20	-9-20	-10-20	1.250
	-2-21	-3-21	-4-21	-5-21	-6-21	-7-21	-8-21	-9-21	-10-21	1.312
	-2-22	-3-22	-4-22	-5-22	-6-22	-7-22	-8-22	-9-22	-10-22	1.375
	-2-23	-3-23	-4-23	-5-23	-6-23	-7-23	-8-23	-9-23	-10-23	1.437
	-2-24	-3-24	-4-24	-5-24	-6-24	-7-24	-8-24	-9-24	-10-24	1.500
	-2-25	-3-25	-4-25	-5-25	-6-25	-7-25	-8-25	-9-25	-10-25	1.562
	-2-26	-3-26	-4-26	-5-26	-6-26	-7-26	-8-26	-9-26	-10-26	1.625
	-2-27	-3-27	-4-27	-5-27	-6-27	-7-27	-8-27	-9-27	-10-27	1.687
	-2-28	-3-28	-4-28	-5-28	-6-28	-7-28	-8-28	-9-28	-10-28	1.750

INTERIM DOCUMENT REVISION		
Rev.	Date	DAF #
F1	10/21/16	9430

INTERIM DOCUMENT REVISION		
Rev.	Date	DAF#
F2	10/8/2018	117431

ORIGINAL DESIGN ACTIVITY: CAGE CODE 29372

S41476	APPROVED DATE 08 MAR 1990	 <b>ARCONIC</b> Arconic Fastening Systems TRIDAIR PRODUCTS 3018 W. LOMITA BLVD. TORRANCE, CA 90505	TITLE: <b>SCREW, PAN HEAD, CAPTIVE, CRES</b>	CURRENT DESIGN ACTIVITY: CAGE CODE: 29372
	REV. LETTER AND DATE <del>F</del> 17 FEB 2010		UNLESS OTHERWISE SPECIFIED DIMENSIONS ARE IN INCHES & ASME Y14.5M TOLERANCES:	SALES DRAWING NO. <b>CA2215-(-)(-)(-)</b>
	DAF NUMBER <del>91295</del>		ANGLES DECIMALS XX = ±.02 XXX = ±.010	SHEET 2 OF 4

MANUFACTURE OF THE PROPRIETARY PARTS SHOWN HERE WITHOUT WRITTEN CONSENT IS ABSOLUTELY PROHIBITED

THIS DRAWING EMBODIES A CONFIDENTIAL, PROPRIETARY DESIGN & ALL DESIGN, MANUFACTURING PRODUCTION, USE & SALE RIGHTS REGARDING SAME ARE EXPRESSLY RESERVED.

**TABLE 4**

	G GRIP									L
	.062	.094	.125	.156	.187	.218	.250	.281	.312	LENGTH
.190-32 SIZE FIRST DASH NUMBER -10	-2-7	-3-7	-4-7	-5-7	-6-7	-7-7	-8-7	-9-7	-10-7	.437
	-2-8	-3-8	-4-8	-5-8	-6-8	-7-8	-8-8	-9-8	-10-8	.500
	-2-9	-3-9	-4-9	-5-9	-6-9	-7-9	-8-9	-9-9	-10-9	.562
	-2-10	-3-10	-4-10	-5-10	-6-10	-7-10	-8-10	-9-10	-10-10	.625
	-2-11	-3-11	-4-11	-5-11	-6-11	-7-11	-8-11	-9-11	-10-11	.687
	-2-12	-3-12	-4-12	-5-12	-6-12	-7-12	-8-12	-9-12	-10-12	.750
	-2-13	-3-13	-4-13	-5-13	-6-13	-7-13	-8-13	-9-13	-10-13	.812
	-2-14	-3-14	-4-14	-5-14	-6-14	-7-14	-8-14	-9-14	-10-14	.875
	-2-15	-3-15	-4-15	-5-15	-6-15	-7-15	-8-15	-9-15	-10-15	.937
	-2-16	-3-16	-4-16	-5-16	-6-16	-7-16	-8-16	-9-16	-10-16	1.000
	-2-17	-3-17	-4-17	-5-17	-6-17	-7-17	-8-17	-9-17	-10-17	1.062
	-2-18	-3-18	-4-18	-5-18	-6-18	-7-18	-8-18	-9-18	-10-18	1.125
	-2-19	-3-19	-4-19	-5-19	-6-19	-7-19	-8-19	-9-19	-10-19	1.187
	-2-20	-3-20	-4-20	-5-20	-6-20	-7-20	-8-20	-9-20	-10-20	1.250
	-2-21	-3-21	-4-21	-5-21	-6-21	-7-21	-8-21	-9-21	-10-21	1.312
	-2-22	-3-22	-4-22	-5-22	-6-22	-7-22	-8-22	-9-22	-10-22	1.375
	-2-23	-3-23	-4-23	-5-23	-6-23	-7-23	-8-23	-9-23	-10-23	1.437
	-2-24	-3-24	-4-24	-5-24	-6-24	-7-24	-8-24	-9-24	-10-24	1.500
	-2-25	-3-25	-4-25	-5-25	-6-25	-7-25	-8-25	-9-25	-10-25	1.562
	-2-26	-3-26	-4-26	-5-26	-6-26	-7-26	-8-26	-9-26	-10-26	1.625
	-2-27	-3-27	-4-27	-5-27	-6-27	-7-27	-8-27	-9-27	-10-27	1.687
	-2-28	-3-28	-4-28	-5-28	-6-28	-7-28	-8-28	-9-28	-10-28	1.750


**TABLE 5**

	G GRIP									L
	.062	.094	.125	.156	.187	.218	.250	.281	.312	LENGTH
.250-28 SIZE FIRST DASH NUMBER -4	-2-7	-3-7	-4-7	-5-7	-6-7	-7-7	-8-7	////	////	.437
	-2-8	-3-8	-4-8	-5-8	-6-8	-7-8	-8-8	-9-8	-10-8	.500
	-2-9	-3-9	-4-9	-5-9	-6-9	-7-9	-8-9	-9-9	-10-9	.562
	-2-10	-3-10	-4-10	-5-10	-6-10	-7-10	-8-10	-9-10	-10-10	.625
	-2-11	-3-11	-4-11	-5-11	-6-11	-7-11	-8-11	-9-11	-10-11	.687
	-2-12	-3-12	-4-12	-5-12	-6-12	-7-12	-8-12	-9-12	-10-12	.750
	-2-13	-3-13	-4-13	-5-13	-6-13	-7-13	-8-13	-9-13	-10-13	.812
	-2-14	-3-14	-4-14	-5-14	-6-14	-7-14	-8-14	-9-14	-10-14	.875
	-2-15	-3-15	-4-15	-5-15	-6-15	-7-15	-8-15	-9-15	-10-15	.937
	-2-16	-3-16	-4-16	-5-16	-6-16	-7-16	-8-16	-9-16	-10-16	1.000
	-2-17	-3-17	-4-17	-5-17	-6-17	-7-17	-8-17	-9-17	-10-17	1.062
	-2-18	-3-18	-4-18	-5-18	-6-18	-7-18	-8-18	-9-18	-10-18	1.125
	-2-19	-3-19	-4-19	-5-19	-6-19	-7-19	-8-19	-9-19	-10-19	1.187
	-2-20	-3-20	-4-20	-5-20	-6-20	-7-20	-8-20	-9-20	-10-20	1.250
	-2-21	-3-21	-4-21	-5-21	-6-21	-7-21	-8-21	-9-21	-10-21	1.312
	-2-22	-3-22	-4-22	-5-22	-6-22	-7-22	-8-22	-9-22	-10-22	1.375
	-2-23	-3-23	-4-23	-5-23	-6-23	-7-23	-8-23	-9-23	-10-23	1.437
	-2-24	-3-24	-4-24	-5-24	-6-24	-7-24	-8-24	-9-24	-10-24	1.500
	-2-25	-3-25	-4-25	-5-25	-6-25	-7-25	-8-25	-9-25	-10-25	1.562
	-2-26	-3-26	-4-26	-5-26	-6-26	-7-26	-8-26	-9-26	-10-26	1.625
	-2-27	-3-27	-4-27	-5-27	-6-27	-7-27	-8-27	-9-27	-10-27	1.687
	-2-28	-3-28	-4-28	-5-28	-6-28	-7-28	-8-28	-9-28	-10-28	1.750

INTERIM DOCUMENT REVISION	
Rev.	DAF #
F1	10/21/10
	91301

INTERIM DOCUMENT REVISION	
Rev.	DAF#
F2	10/8/2018
	117431

ORIGINAL DESIGN ACTIVITY: CAGE CODE 29372

S41476	APPROVED DATE <b>08 MAR 1990</b>	 <b>ARCONIC</b> Arconic Fastening Systems <b>TRIDAIR PRODUCTS</b> 3018 W. LOMITA BLVD. TORRANCE, CA 90505	TITLE: <b>SCREW, PAN HEAD, CAPTIVE, CRES</b>	CURRENT DESIGN ACTIVITY: <b>CAGE CODE: 29372</b>	
	REV. LETTER AND DATE <b>F 17 FEB 2010</b>		UNLESS OTHERWISE SPECIFIED DIMENSIONS ARE IN INCHES & ASME Y14.5M TOLERANCES:	ANGLES DECIMALS	<b>SALES DRAWING NO.</b>
	DAF NUMBER <b>91295</b>		$\begin{matrix} = \pm 2' \\ = \pm .02 \\ .XXX = \pm .010 \end{matrix}$	<b>CA2215-(-)(-)(-)</b>	

MANUFACTURE OF THE PROPRIETARY PARTS SHOWN HERE WITHOUT WRITTEN CONSENT IS ABSOLUTELY PROHIBITED.

THIS DRAWING EMBODIES A CONFIDENTIAL, PROPRIETARY DESIGN & ALL DESIGN, MANUFACTURING PRODUCTION, USE & SALE RIGHTS REGARDING SAME ARE EXPRESSLY RESERVED.

**TABLE 6**

	G GRIP									L LENGTH
	.062	.094	.125	.156	.187	.218	.250	.281	.312	
<b>.3125-24 SIZE FIRST DASH NUMBER -5</b>	-2-7	-3-7	-4-7	-5-7	-6-7	-7-7	/	/	/	.437
	-2-8	-3-8	-4-8	-5-8	-6-8	-7-8	-8-8	-9-8	/	.500
	-2-9	-3-9	-4-9	-5-9	-6-9	-7-9	-8-9	-9-9	-10-9	.562
	-2-10	-3-10	-4-10	-5-10	-6-10	-7-10	-8-10	-9-10	-10-10	.625
	-2-11	-3-11	-4-11	-5-11	-6-11	-7-11	-8-11	-9-11	-10-11	.687
	-2-12	-3-12	-4-12	-5-12	-6-12	-7-12	-8-12	-9-12	-10-12	.750
	-2-13	-3-13	-4-13	-5-13	-6-13	-7-13	-8-13	-9-13	-10-13	.812
	-2-14	-3-14	-4-14	-5-14	-6-14	-7-14	-8-14	-9-14	-10-14	.875
	-2-15	-3-15	-4-15	-5-15	-6-15	-7-15	-8-15	-9-15	-10-15	.937
	-2-16	-3-16	-4-16	-5-16	-6-16	-7-16	-8-16	-9-16	-10-16	1.000
	-2-17	-3-17	-4-17	-5-17	-6-17	-7-17	-8-17	-9-17	-10-17	1.062
	-2-18	-3-18	-4-18	-5-18	-6-18	-7-18	-8-18	-9-18	-10-18	1.125
	-2-19	-3-19	-4-19	-5-19	-6-19	-7-19	-8-19	-9-19	-10-19	1.187
	-2-20	-3-20	-4-20	-5-20	-6-20	-7-20	-8-20	-9-20	-10-20	1.250
	-2-21	-3-21	-4-21	-5-21	-6-21	-7-21	-8-21	-9-21	-10-21	1.312
	-2-22	-3-22	-4-22	-5-22	-6-22	-7-22	-8-22	-9-22	-10-22	1.375
	-2-23	-3-23	-4-23	-5-23	-6-23	-7-23	-8-23	-9-23	-10-23	1.437
	-2-24	-3-24	-4-24	-5-24	-6-24	-7-24	-8-24	-9-24	-10-24	1.500
	-2-25	-3-25	-4-25	-5-25	-6-25	-7-25	-8-25	-9-25	-10-25	1.562
	-2-26	-3-26	-4-26	-5-26	-6-26	-7-26	-8-26	-9-26	-10-26	1.625
	-2-27	-3-27	-4-27	-5-27	-6-27	-7-27	-8-27	-9-27	-10-27	1.687
	-2-28	-3-28	-4-28	-5-28	-6-28	-7-28	-8-28	-9-28	-10-28	1.750


**TABLE 7**

	G GRIP									L LENGTH
	.062	.094	.125	.156	.187	.218	.250	.281	.312	
<b>.375-24 SIZE FIRST DASH NUMBER -6</b>	-2-7	-3-7	-4-7	-5-7	-6-7	-7-7	/	/	/	.437
	-2-8	-3-8	-4-8	-5-8	-6-8	-7-8	-8-8	-9-8	/	.500
	-2-9	-3-9	-4-9	-5-9	-6-9	-7-9	-8-9	-9-9	-10-9	.562
	-2-10	-3-10	-4-10	-5-10	-6-10	-7-10	-8-10	-9-10	-10-10	.625
	-2-11	-3-11	-4-11	-5-11	-6-11	-7-11	-8-11	-9-11	-10-11	.687
	-2-12	-3-12	-4-12	-5-12	-6-12	-7-12	-8-12	-9-12	-10-12	.750
	-2-13	-3-13	-4-13	-5-13	-6-13	-7-13	-8-13	-9-13	-10-13	.812
	-2-14	-3-14	-4-14	-5-14	-6-14	-7-14	-8-14	-9-14	-10-14	.875
	-2-15	-3-15	-4-15	-5-15	-6-15	-7-15	-8-15	-9-15	-10-15	.937
	-2-16	-3-16	-4-16	-5-16	-6-16	-7-16	-8-16	-9-16	-10-16	1.000
	-2-17	-3-17	-4-17	-5-17	-6-17	-7-17	-8-17	-9-17	-10-17	1.062
	-2-18	-3-18	-4-18	-5-18	-6-18	-7-18	-8-18	-9-18	-10-18	1.125
	-2-19	-3-19	-4-19	-5-19	-6-19	-7-19	-8-19	-9-19	-10-19	1.187
	-2-20	-3-20	-4-20	-5-20	-6-20	-7-20	-8-20	-9-20	-10-20	1.250
	-2-21	-3-21	-4-21	-5-21	-6-21	-7-21	-8-21	-9-21	-10-21	1.312
	-2-22	-3-22	-4-22	-5-22	-6-22	-7-22	-8-22	-9-22	-10-22	1.375
	-2-23	-3-23	-4-23	-5-23	-6-23	-7-23	-8-23	-9-23	-10-23	1.437
	-2-24	-3-24	-4-24	-5-24	-6-24	-7-24	-8-24	-9-24	-10-24	1.500
	-2-25	-3-25	-4-25	-5-25	-6-25	-7-25	-8-25	-9-25	-10-25	1.562
	-2-26	-3-26	-4-26	-5-26	-6-26	-7-26	-8-26	-9-26	-10-26	1.625
	-2-27	-3-27	-4-27	-5-27	-6-27	-7-27	-8-27	-9-27	-10-27	1.687
	-2-28	-3-28	-4-28	-5-28	-6-28	-7-28	-8-28	-9-28	-10-28	1.750

INTERIM DOCUMENT REVISION	
Rev.	DAF #
F1	10/21/10 94301

INTERIM DOCUMENT REVISION	
Rev.	DAF#
F2	10/8/2018 117431

ORIGINAL DESIGN ACTIVITY: CAGE CODE 29372

S41476	APPROVED DATE <b>08 MAR 1990</b>	 <b>ARCONIC</b> Arconic Fastening Systems <b>TRIDAIR PRODUCTS</b> 3018 W. LOMITA BLVD. TORRANCE, CA 90505	TITLE: <b>SCREW, PAN HEAD, CAPTIVE, CRES</b>	CURRENT DESIGN ACTIVITY: <b>CAGE CODE: 29372</b>	
	REV. LETTER AND DATE <b>F 17 FEB 2010</b>		UNLESS OTHERWISE SPECIFIED DIMENSIONS ARE IN INCHES & ASME Y14.5M TOLERANCES:	ANGLES DECIMALS = ±2° .XX = ± .02 .XXX = ± .010	<b>SALES DRAWING NO.</b>
	DAF NUMBER <b>91295</b>				<b>CA2215-()-()-()</b>